

---

# Pretest

Grade 2 • Science



Student Test Booklet

**FOCUS**curriculum

Publishing to New York's Core Curriculum

Published by FOCUScurriculum

33 Milford Drive, Suite 1

Hudson, OH 44236

(330) 656-9008

[www.focuscurriculum.com](http://www.focuscurriculum.com)

Copyright © 2012 FOCUScurriculum

Order Number: NYSC-Pre2

Created by Kent Publishing Services, Inc.

Designed by Signature Design Group, Inc.

No part of this publication may be reproduced without purchasing a license from the publisher.

To purchase a license to reproduce this book, contact FOCUScurriculum. The publisher takes

no responsibility for the use of any of the materials or methods described in this book, nor for

the products thereof.

# GRADE 2

# 2

## ELEMENTARY-LEVEL SCIENCE PRETEST

## WRITTEN PRETEST

**Student Name** \_\_\_\_\_

**School Name** \_\_\_\_\_

Print your name and the name of your school on the lines above.  
The test has two parts. Parts I and II are in this test booklet.

**Part I** contains 17 multiple-choice questions. Record your answers to these questions on the separate answer sheet. Use only a No. 2 pencil on your answer sheet.

**Part II** consists of 3 open-ended questions. Write your answers to Part II in this test booklet.

You will have as much time as you need to answer the questions.

**DO NOT TURN THIS PAGE UNTIL YOU ARE TOLD TO DO SO.**

## DIRECTIONS

There are 17 questions on Part I of this test. Each question is followed by three or four answer choices, labeled A-D. Read each question carefully. Decide which choice is the best answer. On the separate answer sheet, mark your answer in the row of circles for each question by filling in the circle that has the same letter as the answer you have chosen. Use a No. 2 pencil to mark the answer sheet.

Read Sample Question S-1 below.

**S-1** Frozen water is called

- A fog
- B ice
- C steam
- D vapor

The correct answer is **ice**, which is next to letter **B**. On your answer sheet, look at the box showing the row of answer circles for Sample Question **S-1**. See how the circle for letter **B** has been filled in.

Answer all 17 questions of Part I of this test. Fill in only one circle for each question. Be sure to erase completely any answer you want to change. You may not know the answers to some of the questions, but do the best you can on each one.

When you have finished Part I, go on to Part II. Answer all of the questions in Part II in the space for each question.

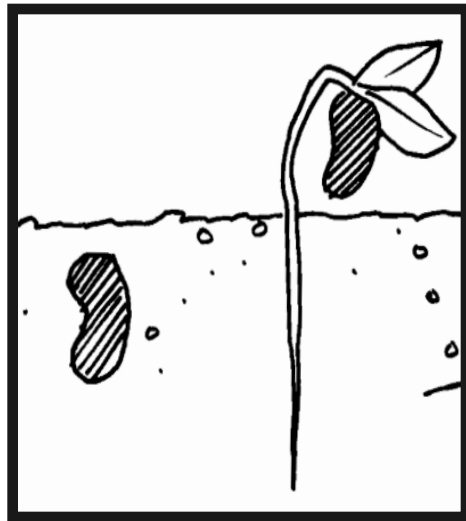
## Part 1

- 1 Which statement is an example of an inherited trait in a living thing?
  - A A puppy has an injured leg.
  - B A girl learns to play the violin.
  - C A plant produces red flowers.
  - D A tree is struck by lightning.
- 2 One force that breaks down rock into soil over time is
  - A gravity
  - B light
  - C electricity
  - D magnetism
- 3 The function of a plant's stem is to
  - A take in nutrients
  - B provide support for the plant
  - C produce fruit
  - D use sunlight to make food
- 4 A student sorts rocks into groups based on their texture. Which sense did she use to observe their texture?
  - A sight
  - B sound
  - C smell
  - D touch
- 5 Some plants live for a few months. This period of time is called a life
  - A cycle
  - B process
  - C span
  - D structure

6 Which force pulls all objects toward the center of Earth?

- A electricity
- B friction
- C magnetism
- D gravity

7 The diagram below shows a plant during which stage of its life cycle?



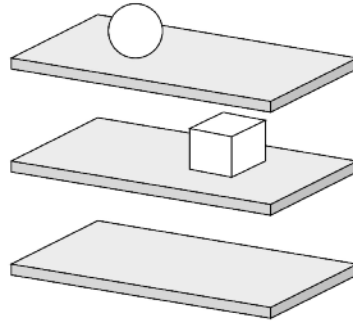
- A maturation
- B germination
- C reproduction
- D death

8 Which two processes occur in all living things?

- A germinating and reproducing
- B growing and making food
- C making food and germinating
- D growing and reproducing

- 9 An example of a *nonliving* thing in soil is
- A rocks
  - B worms
  - C insects
  - D plants
- 10 A second grade class studies a rock found outside on a warm summer day. Which property will be different in the winter?
- A texture
  - B shape
  - C temperature
  - D hardness
- 11 Which property of an object can be measured with a scale?
- A length
  - B color
  - C weight
  - D size
- 12 In order to survive, plants need
- A soil, rocks, and water
  - B water, light, and air
  - C light, food, and rocks
  - D food, soil, and shelter

13 The diagram below shows two objects.



Which statement best describes the location of the objects?

- A The ball is on top of the box.
- B The ball is next to the box.
- C The box is over the ball.
- D The ball is under the box.

**Note that question 14 has only three choices.**

14 The diagram below shows a leaf from an oak tree.



The leaves of another oak tree

- A will look the same
- B will not look the same
- C may or may not look the same



- 15** A student pulls a wagon from her house to school. Which statement is true?
- A The volume of the wagon has changed.
  - B The weight of the wagon has changed.
  - C The length of the wagon has changed.
  - D The position of the wagon has changed.
- 16** Which stage occurs first in the life cycle of some plants?
- A mature plant
  - B young plant
  - C seed
  - D death
- 17** The leaves on a plant grow toward the sunlight. This is an example of a plant
- A germinating from seed
  - B reproducing using runners
  - C making its own food
  - D responding to its environment

## Part II

*Directions (18-20):* Record your answers in the space provided below each question.

Base your answers to questions 18 through 20 on the data table below and on your knowledge of science.

| Rock | Property               |          |          |          |
|------|------------------------|----------|----------|----------|
|      | A. Luster              | B. Mass  | C. Color | D. _____ |
| 1    | Metallic but dull      | 32 grams | gray     | rough    |
| 2    | Metallic and shiny     | 38 grams | black    | smooth   |
| 3    | Nonmetallic and pearly | 23 grams | white    | smooth   |
| 4    | Nonmetallic and dull   | 25 grams | pink     | rough    |

18 Which rock is pink? [1] Rock number: \_\_\_\_\_

19 Identify property *D*. [1] \_\_\_\_\_

20 The rocks can be sorted by luster. Sort the rocks by writing the number of the rock in the box where it belongs. [1]

| Metallic |
|----------|
|          |

| Nonmetallic |
|-------------|
|             |

## Answer Sheet

S-1     A     B     C     D

1.     A     B     C     D

2.     A     B     C     D

3.     A     B     C     D

4.     A     B     C     D

5.     A     B     C     D

6.     A     B     C     D

7.     A     B     C     D

8.     A     B     C     D

9.     A     B     C     D

10.     A     B     C     D

11.     A     B     C     D

12.     A     B     C     D

13.     A     B     C     D

14.     A     B     C     D

15.     A     B     C     D

16.     A     B     C     D

17.     A     B     C     D

**Grade 2 Elementary-Level Science Pretest  
Core Curriculum Correlation and Answers**

| <b>Item</b> | <b>Standard</b>  | <b>Answer</b>                       |
|-------------|------------------|-------------------------------------|
| 1           | 2/LE2.1a         | C                                   |
| 2           | 2/PS2.1d         | A                                   |
| 3           | 2/LE3.1b         | B                                   |
| 4           | 2/PS3.1b         | D                                   |
| 5           | 2/LE4.1c         | C                                   |
| 6           | 2/PS5.1c, PS5.2a | D                                   |
| 7           | 2/LE4.1a, d      | B                                   |
| 8           | 2/LE1.2a         | D                                   |
| 9           | 2/LE1.1d         | A                                   |
| 10          | 2/PS3.1g         | C                                   |
| 11          | 2/PS3.1d, e      | C                                   |
| 12          | 2/LE1.1b         | B                                   |
| 13          | 2/PS5.1a         | A                                   |
| 14          | 2/LE2.2a, b      | A                                   |
| 15          | 2/LE5.1b         | D                                   |
| 16          | 2/LE4.1b, d      | C                                   |
| 17          | 2/LE5.2a         | D                                   |
| 18          | 2/PS3.1c         | 4                                   |
| 19          | 2/PS3.1c         | texture                             |
| 20          | 2/PS3.1f         | Metallic: 1, 2<br>Nonmetallic: 3, 4 |