
Posttest

Grade 3 • Science



Student Test Booklet

FOCUScurriculum

Publishing to New York's Core Curriculum

GRADE 3

3

ELEMENTARY-LEVEL SCIENCE POSTTEST

WRITTEN POSTTEST

Student Name _____

School Name _____

Print your name and the name of your school on the lines above.
The test has two parts. Parts I and II are in this test booklet.

Part I contains 20 multiple-choice questions. Record your answers to these questions on the separate answer sheet. Use only a No. 2 pencil on your answer sheet.

Part II consists of 5 open-ended questions. Write your answers to Part II in this test booklet.

You will have as much time as you need to answer the questions.

DO NOT TURN THIS PAGE UNTIL YOU ARE TOLD TO DO SO.

Published by FOCUScurriculum

33 Milford Drive, Suite 1

Hudson, OH 44236

(330) 656-9008

www.focuscurriculum.com

Copyright © 2012 FOCUScurriculum

Order Number: NYSC-Post3

Created by Kent Publishing Services, Inc.

Designed by Signature Design Group, Inc.

No part of this publication may be reproduced without purchasing a license from the publisher.

To purchase a license to reproduce this book, contact FOCUScurriculum. The publisher takes no responsibility for the use of any of the materials or methods described in this book, nor for the products thereof.

DIRECTIONS

There are 20 questions on Part I of this test. Each question is followed by three or four answer choices, labeled A-D. Read each question carefully. Decide which choice is the best answer. On the separate answer sheet, mark your answer in the row of circles for each question by filling in the circle that has the same letter as the answer you have chosen. Use a No. 2 pencil to mark the answer sheet.

Read Sample Question S-1 below.

S-1 Frozen water is called

- A fog
- B ice
- C steam
- D vapor

The correct answer is **ice**, which is next to letter **B**. On your answer sheet, look at the box showing the row of answer circles for Sample Question **S-1**. See how the circle for letter **B** has been filled in.

Answer all 20 questions of Part I of this test. Fill in only one circle for each question. Be sure to erase completely any answer you want to change. You may not know the answers to some of the questions, but do the best you can on each one.

When you have finished Part I, go on to Part II. Answer all of the questions in Part II in the space for each question.

Part 1

- 1 Which tool can be used to measure the volume of a liquid?
 - A spring scale
 - B thermometer
 - C circuit tester
 - D graduated cylinder
- 2 When a student rubs a mineral on a special plate it leaves a mark. This property is called
 - A streak
 - B luster
 - C cleavage
 - D specific gravity
- 3 The three states of matter are
 - A solid, liquid, and gas
 - B mass, weight, and size
 - C water, air, and sunlight
 - D texture, color, and volume
- 4 Two toy cars are placed in a glass of water. The red car sinks, while the blue car floats. The red car has more
 - A flexibility
 - B mass
 - C texture
 - D volume
- 5 Which material is the best conductor of heat?
 - A paper
 - B wood
 - C metal
 - D plastic

- 6 Which unit could be used to describe the length of a paperclip?
- A grams
 - B seconds
 - C centimeters
 - D degrees Celsius
- 7 Which property of an object is identified using the sense of sight?
- A color
 - B hardness
 - C odor
 - D texture
- 8 A puddle of water dries up after a hot day in the Sun due to
- A convection
 - B transformation
 - C condensation
 - D evaporation
- 9 A light bulb is lit by what type of energy?
- A chemical
 - B magnetic
 - C electrical
 - D mechanical
- 10 Which change would most likely help an animal survive the winter?
- A shivering
 - B losing weight
 - C growing thicker fur
 - D breathing more quickly

- 11 Which physical structure would best help a bird spot prey while flying?
- A long claws
 - B sharp eyesight
 - C broad beak
 - D thick feathers
- 12 An environmental condition that causes some animals to hibernate is
- A lack of space
 - B loss of habitat
 - C increased number of predators
 - D change of season
- 13 Spikes on a cactus and spines on a porcupine are examples of what type of adaptation?
- A hibernation
 - B camouflage
 - C defense mechanism
 - D coloration for attraction
- 14 If animals can no longer find enough food to eat in their habitat, they will most likely
- A become extinct
 - B move to another place
 - C begin to eat different food
 - D make their own food
- 15 Which function is necessary for all living things?
- A perspiring
 - B germinating
 - C making food
 - D breathing

16 Which force causes a leaf to fall to the ground?

- A gravity
- B magnetism
- C friction
- D electricity

Note that question 17 has only three choices.

17 A marble rests on a table. If a student pushes the marble, what will change?

- A its position
- B its mass
- C its size

18 A simple machine uses what type of energy to move an object?

- A magnetic
- B chemical
- C electrical
- D mechanical

19 A ramp leading up to a door is an example of which simple machine?

- A lever
- B pulley
- C inclined plane
- D wheel and axle

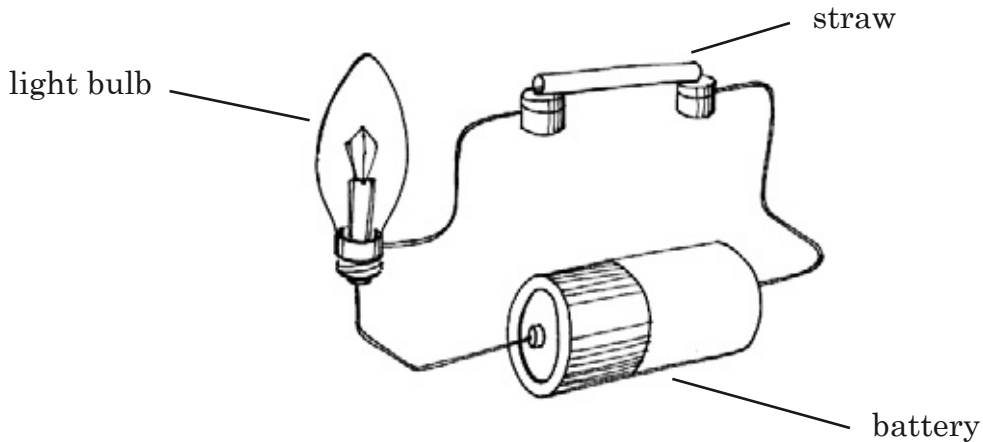
20 Moving dirt with a wheelbarrow is an example of

- A converting chemical energy to mechanical energy
- B a force applied by a simple machine
- C energy flowing through an ecosystem
- D Earth's gravitational pull on an object

Part II

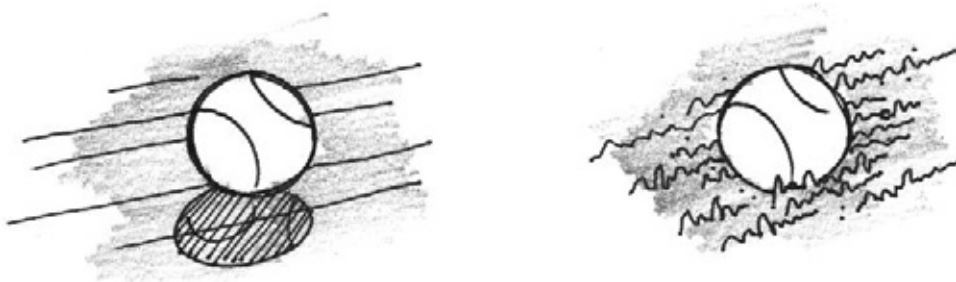
Directions (21-25): Record your answers in the space provided below each question.

21 The diagram below shows an electric circuit.



Explain what would happen to the light bulb if the straw was replaced by a copper wire. [1]

22 A student rolls a ball on a wood floor. Then he rolls the ball on a carpet. The diagrams below show the same ball on each surface.



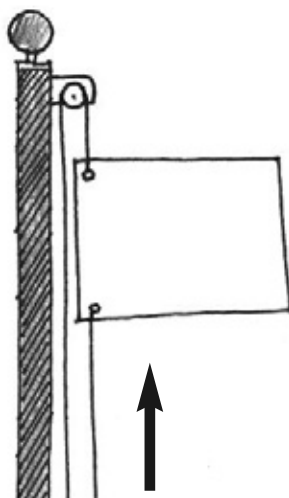
Identify the force that causes the ball on the carpet to slow down faster. [1]

23 The diagram below shows a Baobab tree.



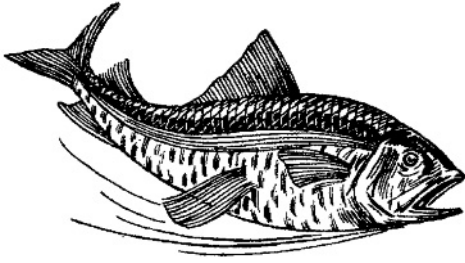
Identify the structure that allows the tree to store water. [1]

24 The diagram below shows a flag being raised on a flag pole.



Identify the simple machine being used. [1]

25 The diagrams below show a fish and a cat.



fish



cat

Identify **two** body structures that the cat has that the fish does **not** have. [2]

(1) _____

(2) _____

Answer Sheet

S-1 A B C D

1. A B C D

2. A B C D

3. A B C D

4. A B C D

5. A B C D

6. A B C D

7. A B C D

8. A B C D

9. A B C D

10. A B C D

11. A B C D

12. A B C D

13. A B C D

14. A B C D

15. A B C D

16. A B C D

17. A B C D

18. A B C D

19. A B C D

20. A B C D

**Grade 3 Elementary-Level Science Posttest
Core Curriculum Correlation and Answers**

Item	Standard	Answer
1	4/PS3.1e	D
2	4/PS3.1b	A
3	4/PS3.1a	A
4	4/PS3.1c	B
5	4/PS4.1c	C
6	4/PS3.1d	C
7	4/PS3.1b	A
8	4/PS4.1d	D
9	4/PS4.1d	C
10	4/LE5.2e	C
11	4/LE5.1b	B
12	4/LE5.2f	D
13	4/LE3.1c	C
14	4/LE5.2d	B
15	4/LE5.1a	D
16	4/PS5.1c	A
17	4/PS5.1b	A
18	4/PS5.1f	D
19	4/PS5.1f	C
20	4/PS5.1f	B
21	4/PS4.1c	The bulb will light up.
22	4/PS5.1d	friction
23	4/LE3.1c	trunk
24	4/PS5.1f	pulley
25	1/LE3.1a	fur, legs